

Indexing plungers for precision locating, plunger cylindrical

SPECIFICATION

Types

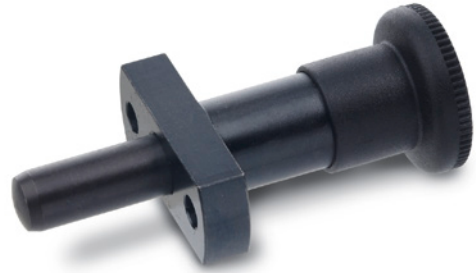
- Type **B**: without rest position
- Type **C**: with rest position

Steel

- blackened
- Pin hardened and grounded

Knob Plastic (Polyamide PA)

- black, matt
- not removable



INFORMATION

Indexing plungers GN 817.3 realize a reasonable priced precision locating when guide bushings DIN 179 (see page 1008) are used.

For this purpose a guide bushing DIN 179 (see page 1008) is used as guide, whereby the dimension l_3 of the plunger determines the length of the bushing.

The precise location is, therefore, not dependent on the guide pin in the plunger, but on the accuracy of the guide bushing (bore tolerance F7) and the plunger (tolerance h7). Both components are hardened and ground. It goes without saying that the bushing length also influences the accuracy of the positioning.

Type C is used for such applications where the plunger has to stay in its retracted position. To achieve this, the knob is rotated by 90° degrees after being retracted. A notch keeps the plunger in this position.

- Range of indexing plungers (see page 738)

ACCESSORY

- Guide bushings DIN 179 (see page 1008)

TECHNICAL INFORMATION

- ISO-Fundamental Tolerances (see page A21)
- Plastic characteristics (see page A2)

CONSTRUCTION AND ASSEMBLY INSTRUCTIONS

Two different plunger pin lengths l_1 are available for each indexing plunger diameter d_1 .

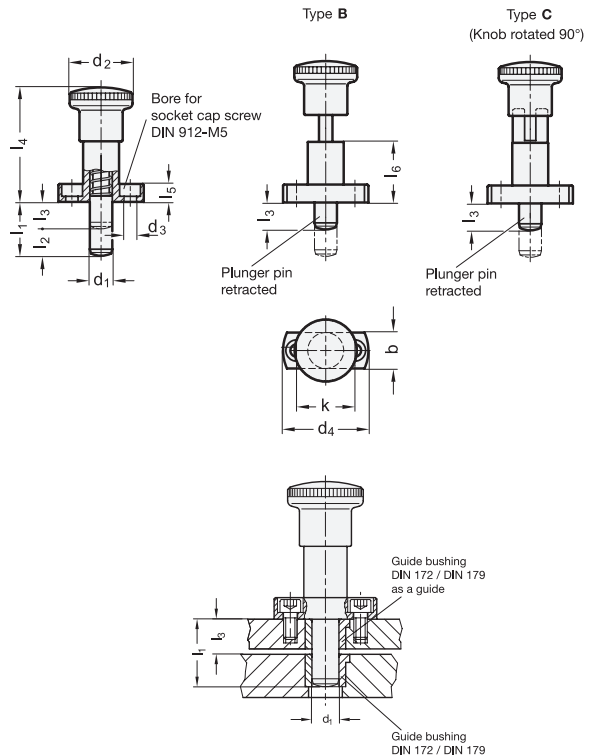
The length l_3 must ensure that the indexing pin fully disengages, bushing length and plate thickness plus any gap can then be selected within certain margins.

For mounting bushings with tolerance n6, a hole with tolerance H7 corresponding to the external diameter is usually provided.

A selection of suitable guide bushings DIN 172 (see page 1006) and DIN 179 (see page 1008) is given.

* Complete with type index of the Indexing plungers (B or C)

B	C
without rest position	with rest position



GN 817.3

Description	d1 h7	l1	l2	l3	b	d2	d3	d4	k	l4	l5	l6	Spring load in N ≈ initial	Spring load in N ≈ end	⚖
GN 817.3-6-18-*	6	18	9	9	13	23	4.3	34	23	45	6	25	6	25	43
GN 817.3-6-24-*	6	24	9	15	13	23	4.3	34	23	45	6	25	6	25	45
GN 817.3-8-20-*	8	20	10	10	16	28	5.5	38	26	51	8	27	8.5	28	74
GN 817.3-8-26-*	8	26	10	16	16	28	5.5	38	26	51	8	27	8.5	28	77
GN 817.3-10-24-*	10	24	12	12	16	28	5.5	38	26	51	8	27	9.5	38	83
GN 817.3-10-32-*	10	32	12	20	16	28	5.5	38	26	51	8	27	9.5	38	100

Weight type B

